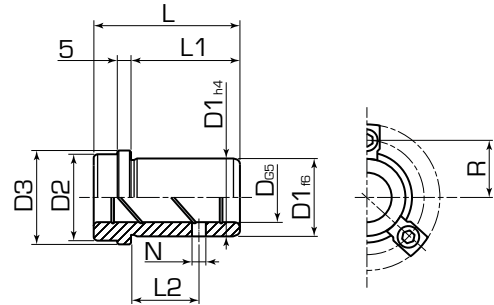


## R0233 Bussola guida estraibile in bronzo integrale - B7BB Bronze demountable guide bush - B7BB



TIPO C - ML  
TYPE C - ML



**Descrizione:**

Materiale: Bronzo  
Nota: Staffette e viti da ordinare separatamente

**Description:**

Material: Bronze  
Note: Clamps and screws have to be ordered separately

**Tipo C**

**Type C**

Codice Code	D	L	D1	D2	D3	L1	R	N	L2
R0233-04-0001	18	31	28	29	34	18	21	5	8
R0233-04-0006	19	31	28	29	34	18	21	5	8
R0233-04-0011	24	36	38	39	44	23	26	5	9
R0233-04-0016	25	36	38	39	44	23	26	5	9
R0233-04-0021	30	43	45	48	53	30	31.5	5	11
R0233-04-0026	32	43	45	48	53	30	31.5	5	11
R0233-04-0031	40	51	54	58	63	38	36.5	8	11
R0233-04-0036	42	51	54	58	63	38	36.5	8	11
R0233-04-0041	50	61	65	74	79	48	44.5	8	14
R0233-04-0046	52	61	65	74	79	48	44.5	8	14
R0233-04-0051	63	74	81	87	92	61	51	8	19
R0233-04-0056	80	91	100	106	111	78	60.5	8	19

**Tipo ML**

**Type ML**

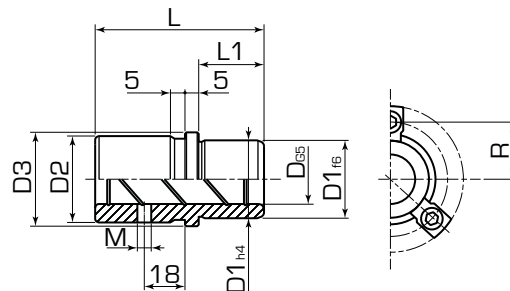
Codice Code	D	L	D1	D2	D3	L1	R	N	L2
R0233-04-0003	18	50	28	29	34	37	21	5	8
R0233-04-0008	19	50	28	29	34	37	21	5	8
R0233-04-0013	24	55	38	39	44	42	26	5	9
R0233-04-0018	25	55	38	39	44	42	26	5	9
R0233-04-0023	30	60	45	48	53	47	31.5	5	11
R0233-04-0028	32	60	45	48	53	47	31.5	5	11
R0233-04-0033	40	67	54	58	63	54	36.5	8	11
R0233-04-0038	42	67	54	58	63	54	36.5	8	11
R0233-04-0043	50	75	65	74	79	62	44.5	8	14
R0233-04-0048	52	75	65	74	79	62	44.5	8	14
R0233-04-0053	63	90	81	87	92	77	51	8	19

## R0233

Bussola guida estraibile in bronzo integrale - B7BB  
Bronze demountable guide bush - B7BB



TIPO M - L - LL  
TYPE M - L - LL



**Descrizione:**

Materiale: Bronzo  
Nota: Staffette e viti da ordinare separatamente

**Description:**

Material: Bronze  
Note: Clamps and screws have to be ordered separately

**Tipo M**

**Type M**

Codice Code	D	L	D1	D2	D3	L1	R	M
R0233-04-0002	18	50	28	31	34	18	21	6 x 1
R0233-04-0007	19	50	28	31	34	18	21	6 x 1
R0233-04-0012	24	55	38	41	44	23	26	10 x 1
R0233-04-0017	25	55	38	41	44	23	26	10 x 1
R0233-04-0022	30	60	45	50	53	26	31.5	10 x 1
R0233-04-0027	32	60	45	50	53	26	31.5	10 x 1
R0233-04-0032	40	67	54	60	63	30	36.5	10 x 1
R0233-04-0037	42	67	54	60	63	30	36.5	10 x 1
R0233-04-0042	50	75	65	76	79	35	44.5	10 x 1
R0233-04-0047	52	75	65	76	79	35	44.5	10 x 1
R0233-04-0052	63	90	81	89	92	48	51	10 x 1
R0233-04-0057	80	100	100	108	111	48	60.5	10 x 1

**Tipo L**

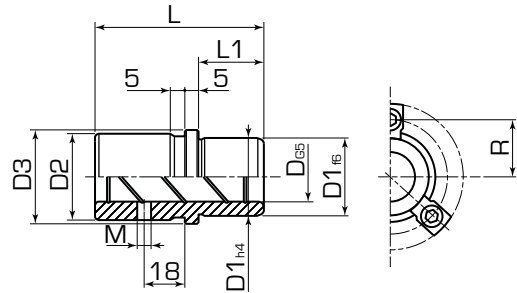
**Type L**

Codice Code	D	L	D1	D2	D3	L1	R	M
R0233-04-0004	18	70	28	31	34	18	21	6 x 1
R0233-04-0009	19	70	28	31	34	18	21	6 x 1
R0233-04-0014	24	80	38	41	44	23	26	10 x 1
R0233-04-0019	25	80	38	41	44	23	26	10 x 1
R0233-04-0024	30	90	45	50	53	26	31.5	10 x 1
R0233-04-0029	32	90	45	50	53	26	31.5	10 x 1
R0233-04-0034	40	100	54	60	63	30	36.5	10 x 1
R0233-04-0039	42	100	54	60	63	30	36.5	10 x 1
R0233-04-0044	50	110	65	76	79	35	44.5	10 x 1
R0233-04-0049	52	110	65	76	79	35	44.5	10 x 1
R0233-04-0054	63	130	81	89	92	48	51	10 x 1
R0233-04-0058	80	150	100	108	111	48	60.5	10 x 1

**R0233** Bussola guida estraibile in bronzo integrale - B7BB  
Bronze demountable guide bush - B7BB



TIPO M - L - LL  
TYPE M - L - LL



**Descrizione:**

Materiale: Bronzo  
Nota: Staffette e viti da ordinare separatamente

**Description:**

Material: Bronze  
Note: Clamps and screws have to be ordered separately

**Tipo LL**

**Type LL**

Codice Code	D	L	D1	D2	D3	L1	R	M
R0233-04-0005	18	70	28	31	34	27	21	6 x 1
R0233-04-0010	19	70	28	31	34	27	21	6 x 1
R0233-04-0015	24	80	38	41	44	32	26	10 x 1
R0233-04-0020	25	80	38	41	44	32	26	10 x 1
R0233-04-0025	30	90	45	50	53	37	31.5	10 x 1
R0233-04-0030	32	90	45	50	53	37	31.5	10 x 1
R0233-04-0035	40	100	54	60	63	47	36.5	10 x 1
R0233-04-0040	42	100	54	60	63	47	36.5	10 x 1
R0233-04-0045	50	110	65	76	79	57	44.5	10 x 1
R0233-04-0050	52	110	65	76	79	57	44.5	10 x 1
R0233-04-0055	63	130	81	89	92	67	51	10 x 1
R0233-04-0059	80	150	100	108	111	77	60.5	10 x 1